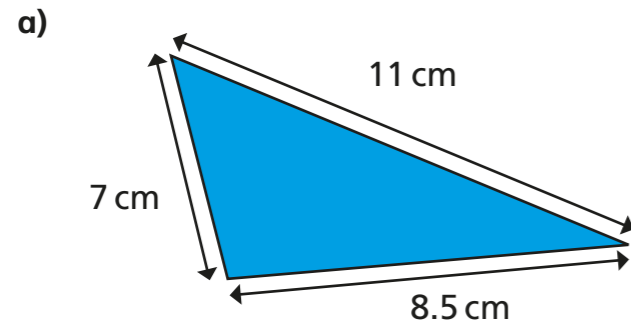


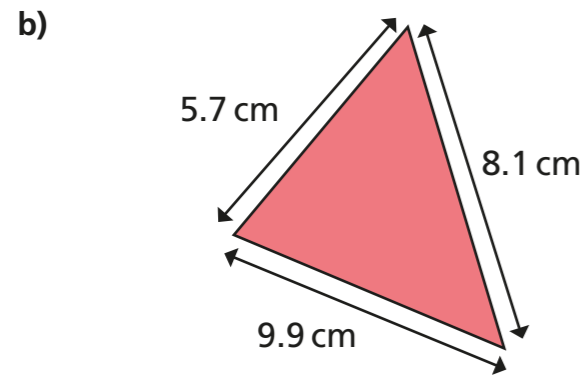
Solve problems in the context of perimeter



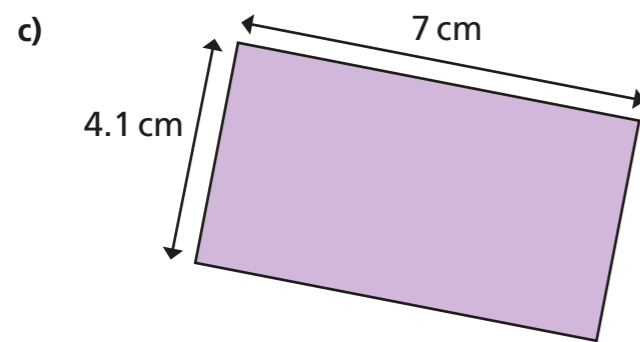
1 Work out the perimeter of each shape.
The diagrams are not drawn accurately.



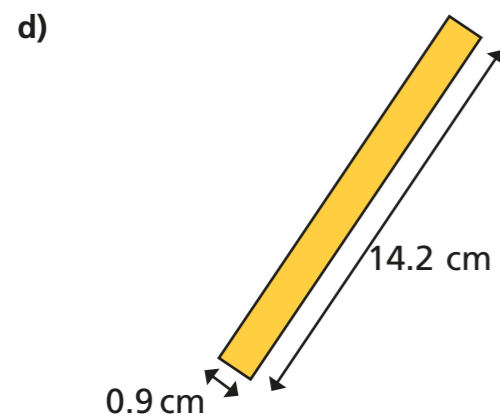
perimeter = 26.5cm



perimeter = 23.7cm

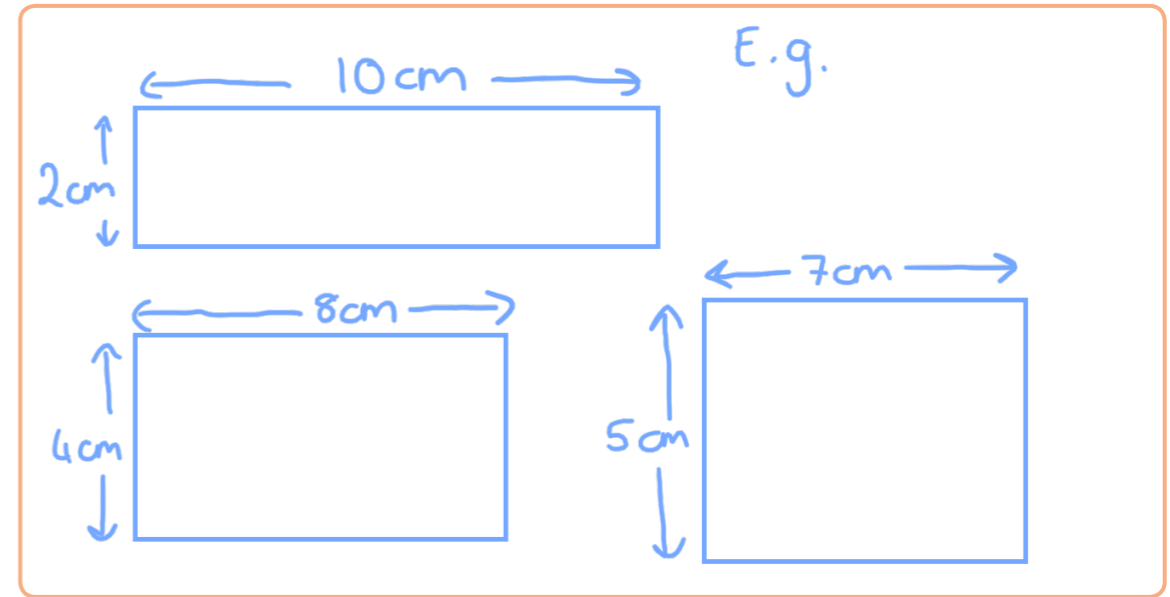


perimeter = 22.2cm

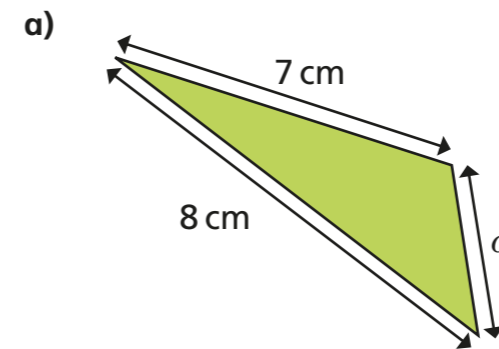


perimeter = 30.2cm

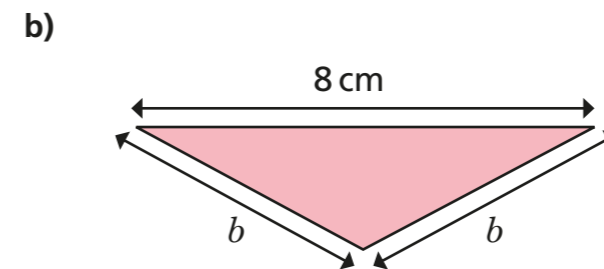
2 The perimeter of a rectangle is 24 cm.
The lengths of the sides are all integers.
Draw and label three possibilities of what the rectangle could look like.



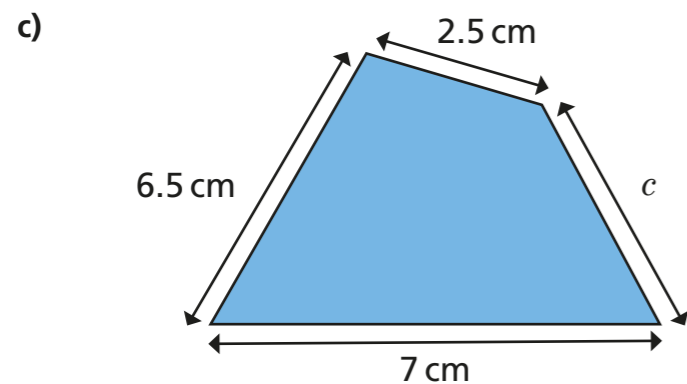
3 The shapes each have a perimeter of 20 cm.
Work out the missing lengths.
The diagrams are not drawn accurately.



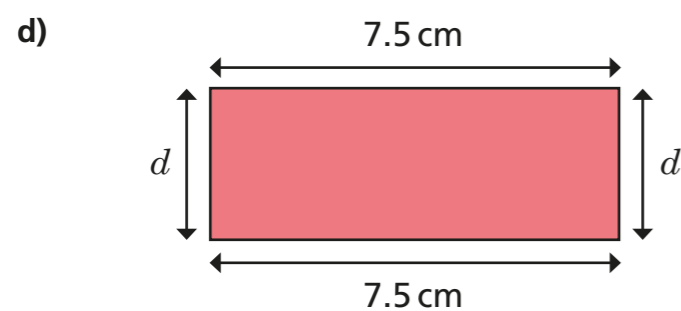
$a = 5\text{cm}$



$b = 6\text{cm}$



$c =$



$d =$

4 The sides of a pentagon are 12 cm, 12 cm, 14 cm, 15 cm and x cm.

a) Work out the perimeter of the pentagon if $x = 17$ cm.

perimeter =

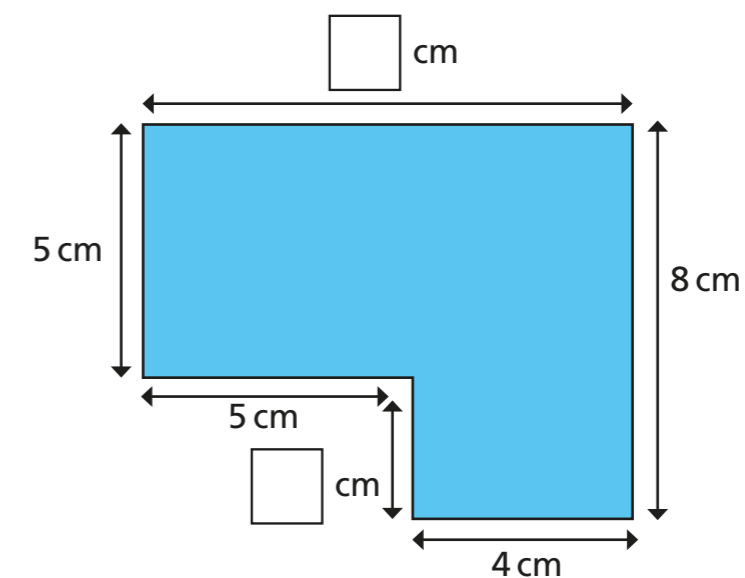
b) If the perimeter of the pentagon is 61 cm, what is the value of x ?

$x =$

5 One side of a rectangle is 6.3 cm long.
The perimeter of the rectangle is 17.6 cm.
Work out the lengths of the other sides of the rectangle.

, and

6 a) Work out the missing lengths of this hexagon and label them on the diagram. It is not drawn accurately.



b) Work out the perimeter of the hexagon.

perimeter =

c) What assumption have you made about the angles in the hexagon?
